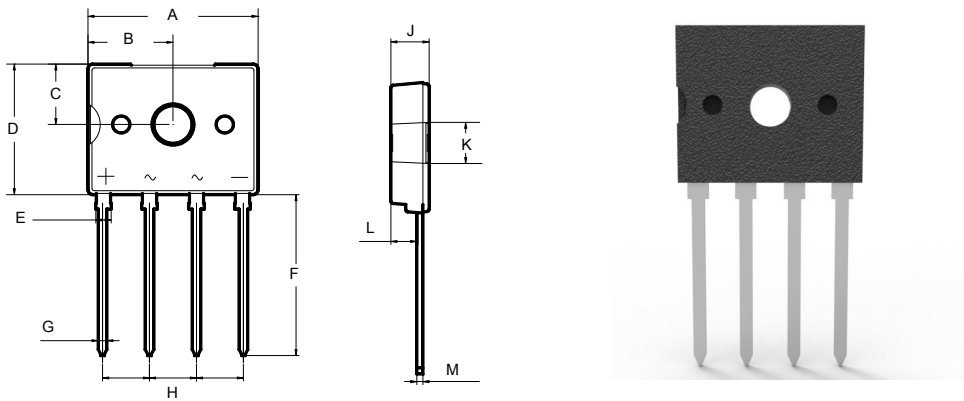


Micro Commercial Components Corp.

New Product Announcement
Aug-28th.2015

MCC Introduces D3K Bridge Rectifier



Dimensions				
DIM.	Inch		mm	
	Min.	Max.	Min.	Max.
A	0.524	0.563	13.3	14.3
B	0.252	0.291	6.4	7.4
C	0.177	0.217	4.5	5.5
D	0.406	0.445	10.3	11.3
E	0.041	0.057	1.05	1.45
F	0.516	0.531	13.1	13.5
G	0.024	0.033	0.6	0.85
H	0.146	0.154	3.7	3.9
J	0.102	0.142	2.6	3.6
K	0.122	0.134	3.1	3.4
L	0.079	0.087	2	2.2
M	0.016	0.024	0.4	0.6



Micro Commercial Components[®]

Features:

- Low Profile
- High reliability
- UL approved
- High surge capability
- Compact size up to 4A rating
- Lead frame structure

Application:

- Power supply

Crosses to other manufactures' Parts

MCC	Shindengen
<i>UD2KB05</i>	
<i>UD2KB10</i>	
<i>UD2KB20</i>	
<i>UD2KB40</i>	
<i>UD2KB60</i>	
<i>UD2KB80</i>	<i>UD2KB80</i>
<i>UD2KB100</i>	
<i>UD3KB05</i>	
<i>UD3KB10</i>	
<i>UD3KB20</i>	
<i>UD3KB40</i>	
<i>UD3KB60</i>	
<i>UD3KB80</i>	<i>UD3KB80</i>
<i>UD3KB100</i>	
<i>UD4KB05</i>	
<i>UD4KB10</i>	
<i>UD4KB20</i>	
<i>UD4KB40</i>	
<i>UD4KB60</i>	
<i>UD4KB80</i>	<i>UD4KB80</i>
<i>UD4KB100</i>	