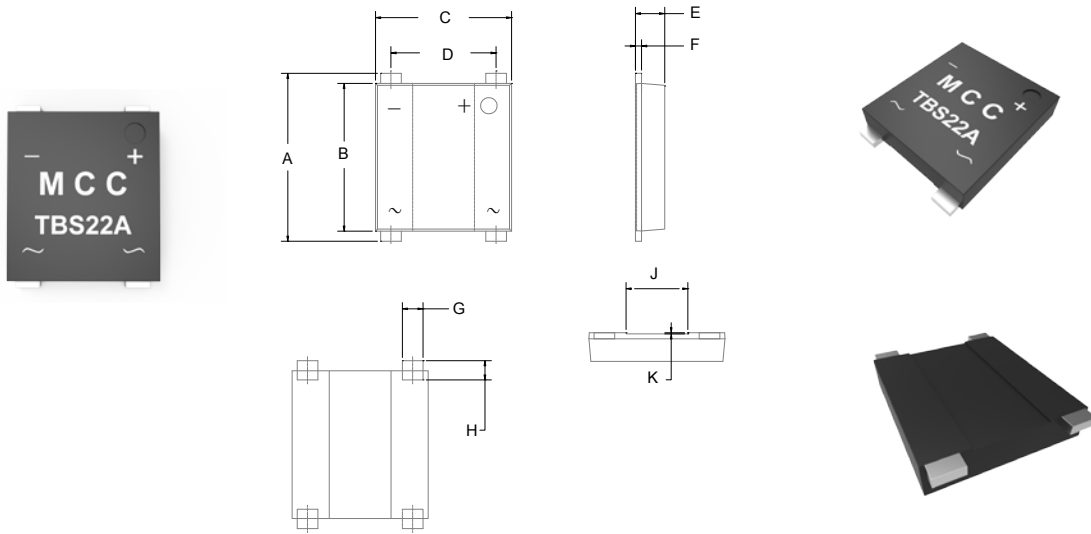


# Micro Commercial Components Corp.

New Product Announcement

Dec.25.2015

## MCC Introduces TBS Package Bridge Rectifiers



DIMENSIONS					
DIM	INCHES		MM		NOTE
	MIN	MAX	MIN	MAX	
A	.311	.339	7.90	8.60	
B	.283	.291	7.20	7.40	
C	.256	.264	6.50	6.70	
D	.197	.205	5.00	5.20	
E	.051	.059	1.30	1.50	
F	.011	.016	0.27	0.40	
G	.037	.045	0.95	1.15	
H	.028	.041	0.70	1.05	
J	.114	.122	2.90	3.10	
K	.0015	.003	0.04	0.08	

### Features:

- Low body height, less than 1.5mm
- High surge current capability up to 90A
- Glass passivated die provides high reliability
- RoHS/REACH compliant
- Moisture sensitivity level 1
- Halogen free .

## Typical Applications:

- Power Supply
- Lighting
- Cable Modem
- Charger

## Part Numbers:

TBS20A	TBS22A
TBS20B	TBS22B
TBS20D	TBS22D
TBS20G	TBS22G
TBS20J	TBS22J
TBS20K	TBS22K
TBS20M	TBS22M

## Available :

- Samples are available for delivery upon request
- Standard lead time is 4 weeks typical