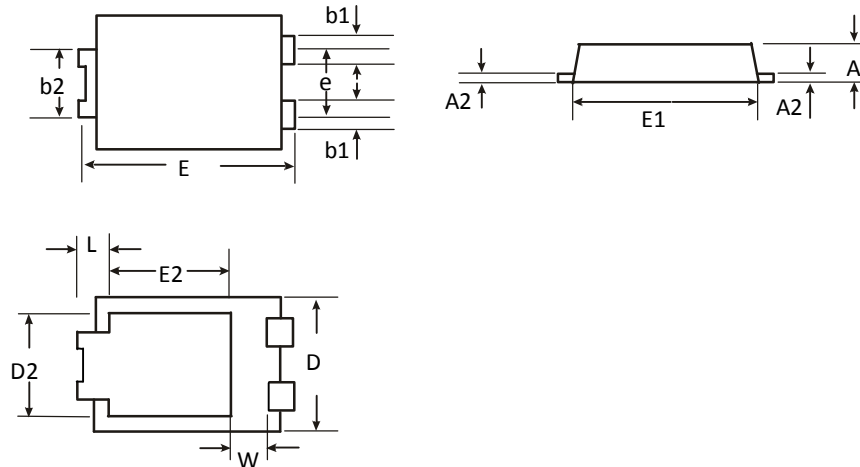


Micro Commercial Components Corp.

New Product Announcement

Dec.2012

New Introduction of TO-277B Package



DIM	INCHES		MM		NOTE
	MIN	MAX	MIN	MAX	
A	.039	.051	1.00	1.30	
A2	.006	.017	0.15	0.43	
b1	.030	.041	0.75	1.05	
b2	.065	.077	1.65	1.95	
D	.148	.169	3.75	4.30	
D2	.110	.126	2.80	3.20	
E	.250	.264	6.35	6.70	
e	.065	.077	1.65	1.95	
E1	.207	.228	5.25	5.80	
E2	.120	.142	3.05	3.60	
L	.028	.051	0.7	1.30	
w	.031	.056	0.8	1.42	

Features:

- Low Body Height (1.08mm typical) and Small Footprint for Space Constrained Applications
- High Power Density and Low Thermal Resistance
- High Forward Surge Current Capability
- RoHS Compliant and Halogen Free Available
- Diversity of Product Portfolio.



Micro Commercial Components[®]

Typical Applications:

- Schottky Bypass Rectifier for Solar Energy
- Ultra Fast Rectifier for Power Factor Correction
- Output Schottky Rectifier for Power Supply