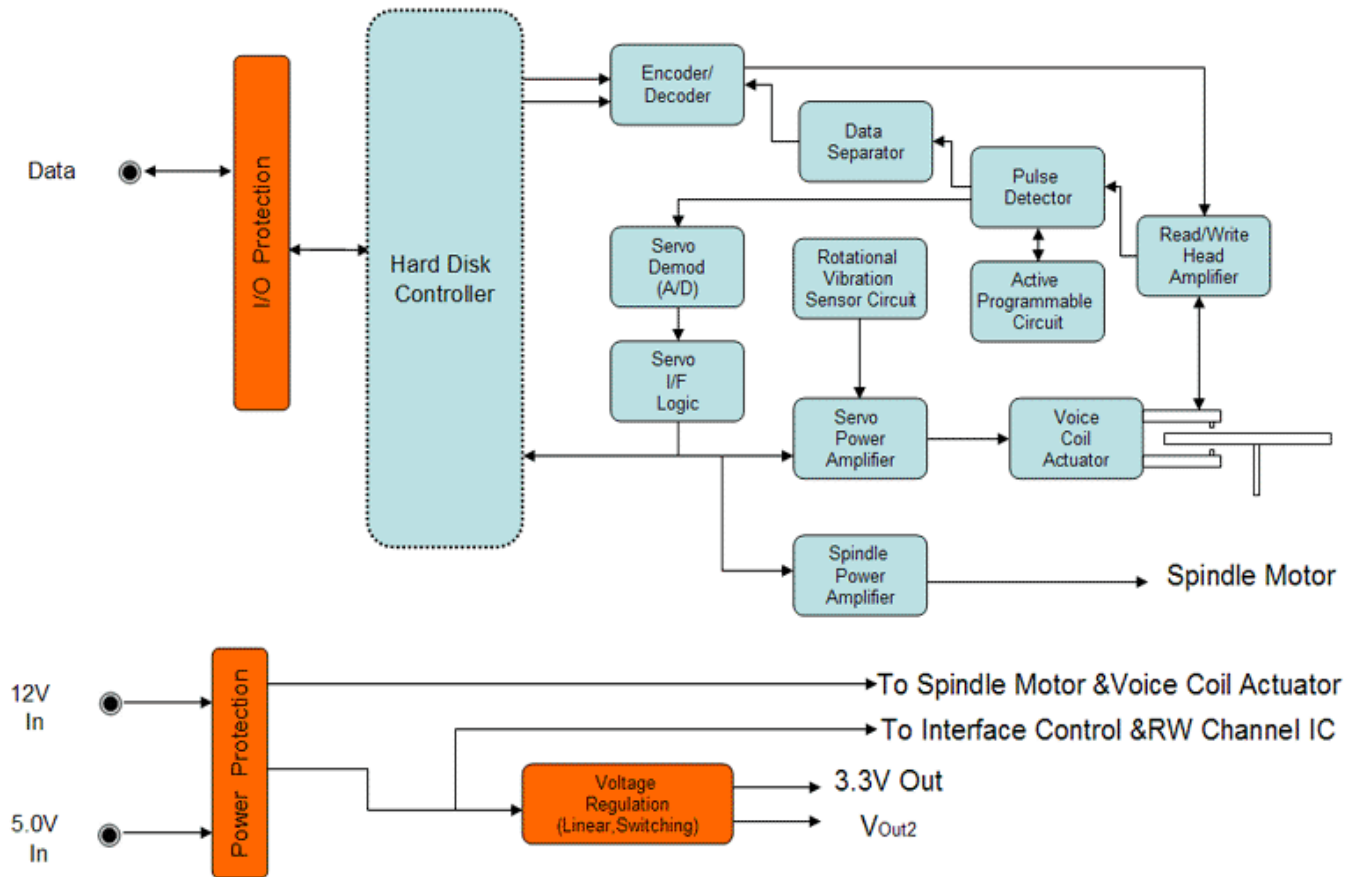


Disk Drive



I/O Protection: ESD3V3D7 ESD5V0D7 ESD5V0M5

Power Protection: SMAJ5.0A SMBJ12A

Voltage Regulation (Linear, Switching): MBRX120 MBRX130 MBRX140 MBR0520 MBR0530

MBR0540 SM5817PL SM5818PL SM5819PL