

### Features

- Fast Response Time
- Low Incremental Surge Resistance
- High Temperature Soldering Guaranteed
- Epoxy Meets UL 94 V-0 Flammability Rating
- Lead Free Finish/RoHS Compliant (Note1) ("P" Suffix Designates RoHS Compliant. See Ordering Information)

**15000Watts  
TVS  
17 to 280  
Volts**


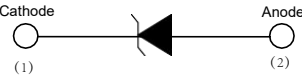

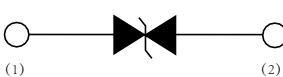
### Maximum Ratings and Thermal Characteristics

Parameter	Symbol	Value	Unit
Peak Pulse Power Surge Current with a 10/1000µs Waveform (Note 1)	$I_{PPM}$	See Next Table	A
Peak Pulse Power Dissipation (Note 1)	$P_{PPM}$	15	KW
Power Dissipation on Infinite Heatsink at TL= 75°C	$P_D$	8	W
Peak Forward Surge Current Unidirectional Only (Note 2)	$I_{FSM}$	400	A
Maximum instantaneous forward voltage at 25A for unidirectional only	$V_F$	3.5	V
Operating Junction Temperature Range, Storage Temperature Range	$T_J, T_{STG}$	-55 to +175	°C
Typical Thermal Resistance Junction to Lead	$R_{\theta JL}$	8	°C/ W
Typical Thermal Resistance Junction to Ambient	$R_{\theta JA}$	40	°C/ W

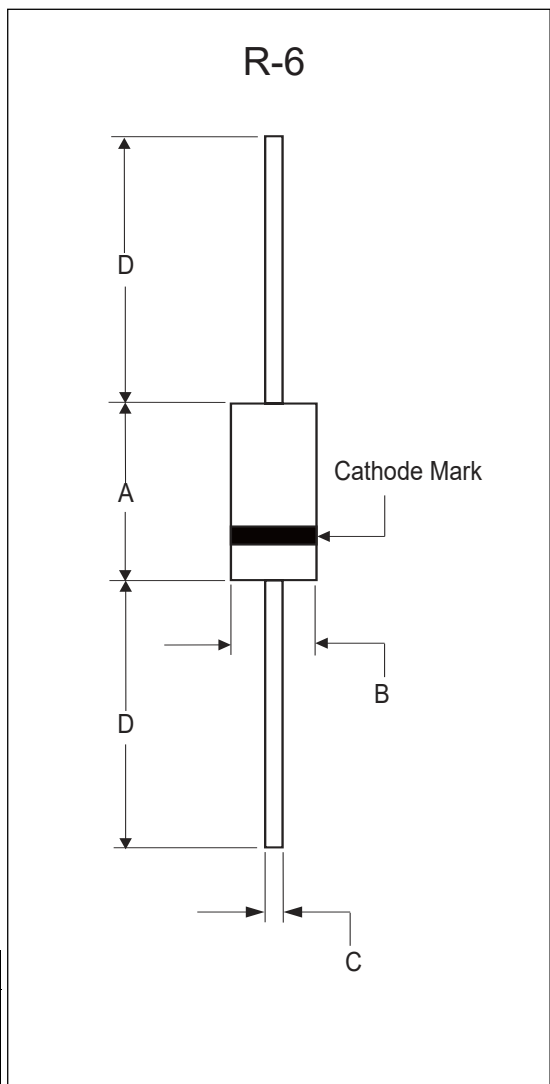
**Note:**

1. Non-repetitive current pulse, per Fig. 4 and derated above  $T_J$  (initial) = 25°C per Fig. 3.
2. Measured on 8.3ms single half sine wave or equivalent square wave, duty cycle=4 per minute maximum.

### Internal Structure and Marking Code

Description	Simplified outline	Graphic symbol
Uni-directional		
Bi-directional		

XXXXXX=Device Marking Code



**Electrical Characteristics @ 25°C Unless Otherwise Specified**

MCC Part Number		Working Peak Reverse Voltage $V_{RWM}(V)$	Breakdown Voltage $V_{BR}$ @ $I_T$			Maximum Clamping Voltage @ $I_{PP}$ $V_C(V)$	Maximum Reverse Surge Current $I_{PP}(A)$	Maximum Reverse Leakage @ $V_{RWM}$ $I_R(\mu A)$	Device Marking Code	
(Uni)	(Bi)		Min (V)	Max (V)	$I_T$ (mA)					
15KP17AL	15KP17CAL	17	18.9	20.79	50	29.3	512	5000	15KP17A	15KP17CA
15KP18AL	15KP18CAL	18	20.0	22.01	50	30.9	485	5000	15KP18A	15KP18CA
15KP20AL	15KP20CAL	20	22.2	24.46	20	34.3	437	1500	15KP20A	15KP20CA
15KP22AL	15KP22CAL	22	24.4	26.91	10	37.1	404	500	15KP22A	15KP22CA
15KP24AL	15KP24CAL	24	26.7	29.35	5	40.5	369	150	15KP24A	15KP24CA
15KP26AL	15KP26CAL	26	28.9	31.8	5	44	347	50	15KP26A	15KP26CA
15KP28AL	15KP28CAL	28	31.1	34.24	5	47.5	316	25	15KP28A	15KP28CA
15KP30AL	15KP30CAL	30	33.3	36.69	5	50.7	296	15	15KP30A	15KP30CA
15KP33AL	15KP33CAL	33	36.7	40.4	5	54.8	274	10	15KP33A	15KP33CA
15KP36AL	15KP36CAL	36	40.0	44	5	59.7	251	10	15KP36A	15KP36CA
15KP40AL	15KP40CAL	40	44.4	48.9	5	65.8	228	10	15KP40A	15KP40CA
15KP43AL	15KP43CAL	43	47.8	52.6	5	69.7	215	10	15KP43A	15KP43CA
15KP45AL	15KP45CAL	45	50.0	55	5	73	205	10	15KP45A	15KP45CA
15KP48AL	15KP48CAL	48	53.3	58.7	5	77.7	193	10	15KP48A	15KP48CA
15KP51AL	15KP51CAL	51	56.7	62.4	5	82.8	181	10	15KP51A	15KP51CA
15KP54AL	15KP54CAL	54	60.0	66	5	87.5	171	10	15KP54A	15KP54CA
15KP58AL	15KP58CAL	58	64.4	70.9	5	94	160	10	15KP58A	15KP58CA
15KP60AL	15KP60CAL	60	66.7	73.4	5	97.3	154	10	15KP60A	15KP60CA
15KP64AL	15KP64CAL	64	71.1	78.3	5	104	144	10	15KP64A	15KP64CA
15KP70AL	15KP70CAL	70	77.8	85.6	5	114	132	10	15KP70A	15KP70CA
15KP75AL	15KP75CAL	75	83.3	91.7	5	122	123	10	15KP75A	15KP75CA
15KP78AL	15KP78CAL	78	86.7	95.4	5	126	119	10	15KP78A	15KP78CA
15KP85AL	15KP85CAL	85	94.4	104	5	137	109	10	15KP85A	15KP85CA
15KP90AL	15KP90CAL	90	100.0	110.1	5	146	103	10	15KP90A	15KP90CA
15KP100AL	15KP100CAL	100	111.0	122.3	5	162	93	10	15KP100A	15KP100CA
15KP110AL	15KP110CAL	110	122.0	134.5	5	178	84	10	15KP110A	15KP110CA
15KP120AL	15KP120CAL	120	133.0	146.8	5	193	78	10	15KP120A	15KP120CA
15KP130AL	15KP130CAL	130	144.0	159	5	209	72	10	15KP130A	15KP130CA
15KP150AL	15KP150CAL	150	167.0	183.5	5	243	62	10	15KP150A	15KP150CA
15KP160AL	15KP160CAL	160	178.0	195.7	5	259	58	10	15KP160A	15KP160CA
15KP170AL	15KP170CAL	170	189.0	207.9	5	275	55	10	15KP170A	15KP170CA
15KP180AL	15KP180CAL	180	200.0	220.1	5	291	52	10	15KP180A	15KP180CA
15KP200AL	15KP200CAL	200	222.0	244.6	5	322	47	10	15KP200A	15KP200CA
15KP220AL	15KP220CAL	220	245.0	269.1	5	356	42	10	15KP220A	15KP220CA
15KP240AL	15KP240CAL	240	267.0	293.5	5	388	39	10	15KP240A	15KP240CA
15KP260AL	15KP260CAL	260	289.0	318	5	419	36	10	15KP260A	15KP260CA
15KP280AL	15KP280CAL	280	311.0	342.4	5	452	33	10	15KP280A	15KP280CA

### Curve Characteristics

Fig. 1 - Peak Pulse Power Rating Curve

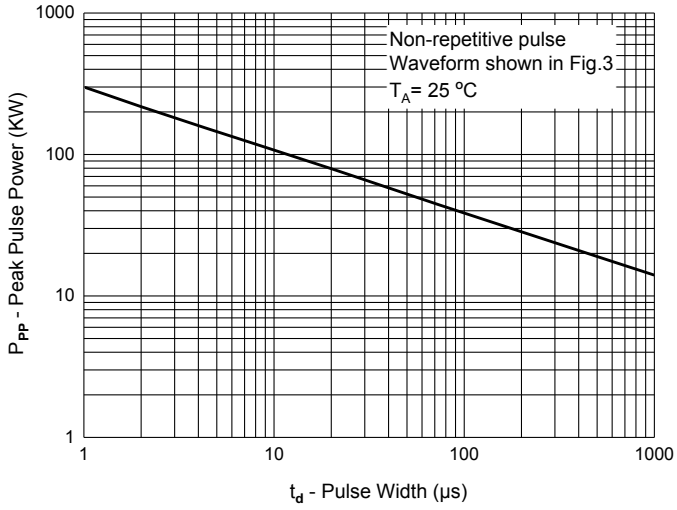


Fig. 2 - Typical Junction Capacitance

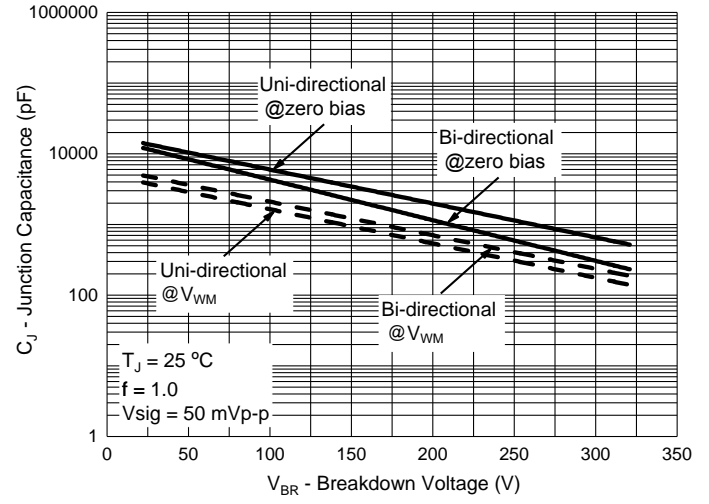


Fig. 3 - Pulse Waveform

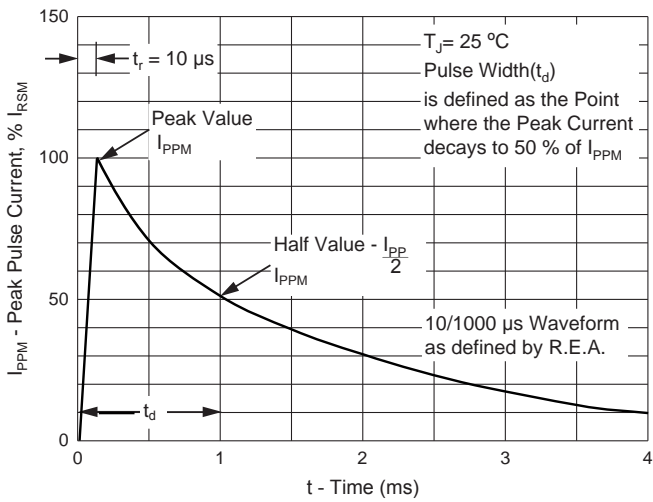
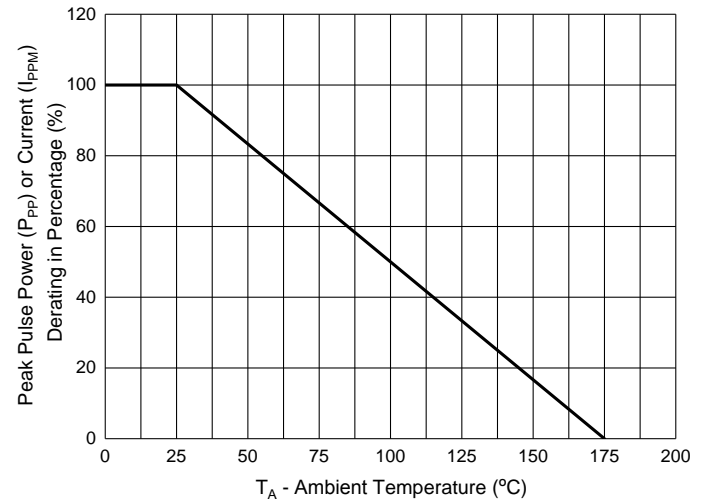


Fig. 4 - Pulse Derating Curve



## Ordering Information

Device	Packing
(Part Number)-TP	Tape&Reel: 500pcs/Reel
(Part Number)-AP	Ammo Packing: 450pcs/Ammo Box
(Part Number)-BP	Bulk: 200pcs/Box ;4.8Kpcs/Carton

Note : Adding "-HF" Suffix For Halogen Free, eg. Part Number-TP-HF

### \*\*\*IMPORTANT NOTICE\*\*\*

**Micro Commercial Components Corp.** reserves the right to make changes without further notice to any product herein to make corrections, modifications , enhancements , improvements , or other changes . **Micro Commercial Components Corp** . does not assume any liability arising out of the application or use of any product described herein; neither does it convey any license under its patent rights ,nor the rights of others . The user of products in such applications shall assume all risks of such use and will agree to hold **Micro Commercial Components Corp** . and all the companies whose products are represented on our website, harmless against all damages. **Micro Commercial Components Corp** . products are sold subject to the general terms and conditions of commercial sale, as published at <https://www.mccsemi.com/Home/TermsAndConditions>.

### \*\*\*LIFE SUPPORT\*\*\*

MCC's products are not authorized for use as critical components in life support devices or systems without the express written approval of Micro Commercial Components Corporation.

### \*\*\*CUSTOMER AWARENESS\*\*\*

Counterfeiting of semiconductor parts is a growing problem in the industry. Micro Commercial Components (MCC) is taking strong measures to protect ourselves and our customers from the proliferation of counterfeit parts. MCC strongly encourages customers to purchase MCC parts either directly from MCC or from Authorized MCC Distributors who are listed by country on our web page cited below. Products customers buy either from MCC directly or from Authorized MCC Distributors are genuine parts, have full traceability, meet MCC's quality standards for handling and storage. **MCC will not provide any warranty coverage or other assistance for parts bought from Unauthorized Sources.** MCC is committed to combat this global problem and encourage our customers to do their part in stopping this practice by buying direct or from authorized distributors.