



Micro Commercial Components

Micro Commercial Components
20736 Marilla Street Chatsworth
CA 91311
Phone: (818) 701-4933
Fax: (818) 701-4939

MC78M12ACDT

Features

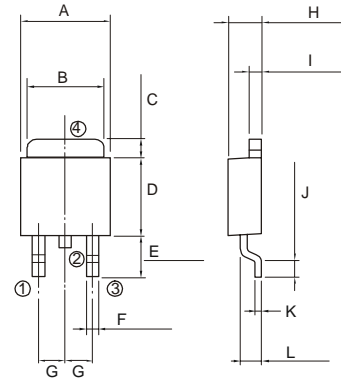
- Output current in excess of 0.5 Ampere
- Internal thermal overload protection
- Internal short-circuit current limiting
- High power dissipation capability

Maximum Ratings @ T_a=25°C, Unless Otherwise Noted

Parameter	Symbol	Value	Unit
Input Voltage	V _i	35	V
Operating Junction Temperature	T _{OPR}	0 ---+125	°C
Storage Temperature Range	T _{STG}	-65---+150	°C

Three-Terminal Positive Voltage Regulators

DPAK



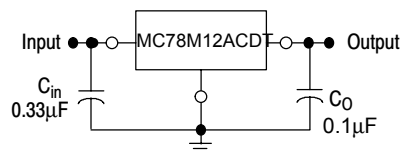
① :IN
② ④ :GND
③ :OUT

Electrical Characteristics (V_i=19V, I_o=350mA, 0°C < T_j < 125°C, C_i=0.33μF, C_o=0.1μF, Unless Otherwise Specified)

Parameter	Sym	Min	Typ	Max	Test conditions
Output Voltage	V _o	11.76V	12V	12.24V	T _j =25°C
		11.66V	12V	12.34V	14.5V ≤ V _i ≤ 27V, 5mA ≤ I _o ≤ 350mA, P _D ≤ 15W
Load Regulation	ΔV _o		25mV	240mV	5mA ≤ I _o ≤ 0.5A, T _j =25°C
			10mV	120mV	5mA ≤ I _o ≤ 200mA, T _j =25°C
Line regulation	ΔV _o		10mV 3.0mV	100mV 50mV	14.5V ≤ V _i ≤ 30V, I _o =0.2A 16V ≤ V _i ≤ 30V, I _o =0.2A
Quiescent Current	I _q		4.6mA	6.0mA	T _j =25°C
Quiescent Current Change	ΔI _q			0.8mA 0.5mA	14.5V ≤ V _i ≤ 30V, I _o =0.2A 5mA ≤ I _o ≤ 350mA
Output Noise Voltage	V _N		75μV		10Hz ≤ f ≤ 100Hz
Ripple Rejection	RR		55dB	80dB	15V ≤ V _i ≤ 25V f=120Hz, I _o =0.3A T _j =25°C
Dropout Voltage	V _d		2.0V		I _o =0.35A, T _j =25°C
Output Short Circuit Current	I _{sc}		240mA		V _i =19V, T _j =25°C
Peak Output Current	I _{pk}		0.7A		T _j =25°C

DIM	DIMENSIONS				NOTE
	INCHES		MM		
A	.248	.364	6.3	6.7	
B	.200	.216	5.1	5.5	
C	.047	.063	1.2	1.6	
D	.209	.225	5.3	5.7	
E	.090	.106	2.3	2.7	
F	.012	.032	0.3	0.8	
G	.090		2.3		
H	.082	.098	2.1	2.5	
I	.016	.024	0.4	0.6	
J	.040	---	1.0	---	
K	.020		0.5		
L	.051	.071	1.3	1.8	

TYPICAL APPLICATION





Micro Commercial Components

Ordering Information

Device	Packing
(Part Number)-TP	Tape&Reel;2.5Kpcs/Reel

*****IMPORTANT NOTICE*****

Micro Commercial Components Corp . reserves the right to make changes without further notice to any product herein to make corrections, modifications , enhancements , improvements , or other changes .
Micro Commercial Components Corp . does not assume any liability arising out of the application or use of any product described herein; neither does it convey any license under its patent rights ,nor the rights of others . The user of products in such applications shall assume all risks of such use and will agree to hold *Micro Commercial Components Corp* . and all the companies whose products are represented on our website, harmless against all damages.

*****APPLICATIONS DISCLAIMER*****

Products offer by *Micro Commercial Components Corp* . are not intended for use in Medical, Aerospace or Military Applications.

www.mccsemi.com