

Mechanical Data

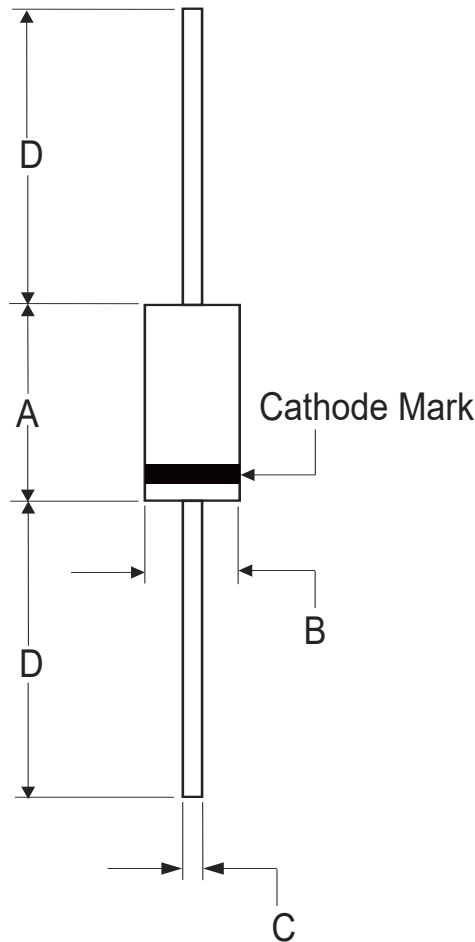
- Weight: 0.2210 grams (Approximate)
- Halogen Free Available Upon Request By Adding Suffix "-HF"
- Epoxy Meets UL 94 V-0 Flammability Rating
- Lead Free Finish/RoHS Compliant (Note¹) ("P" Suffix Designates RoHS Compliant. See Ordering Information)

Package 3D Photo



Note: 1. High Temperature Solder Exemption Applied, see EU Directive Annex 7a.

Package Outline Dimensions



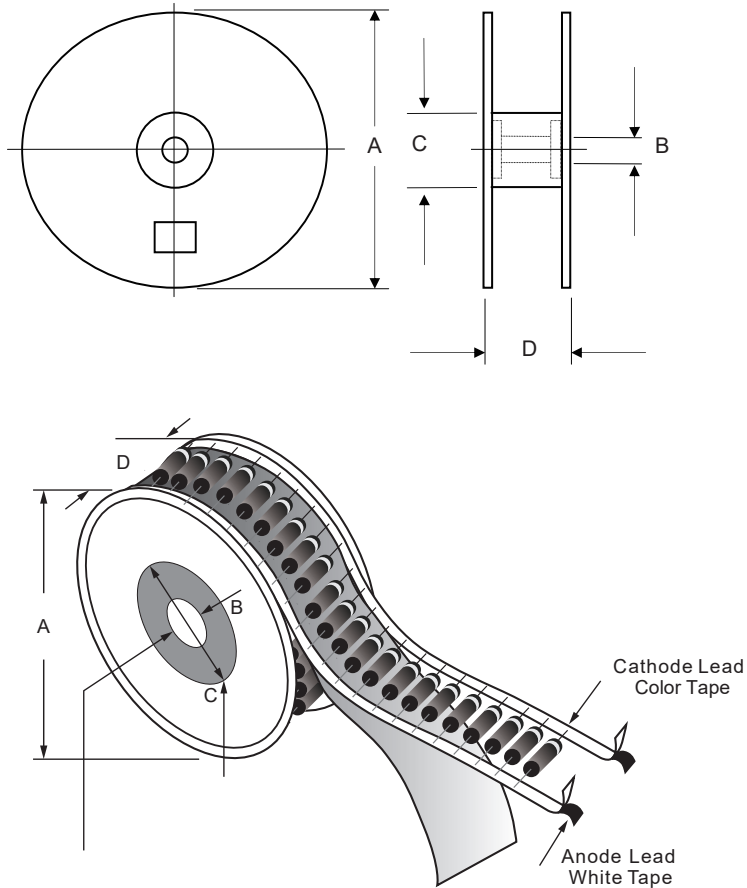
DIMENSIONS					
DIM	INCHES		MM		NOTE
	MIN	MAX	MIN	MAX	
A	0.166	0.205	4.10	5.20	
B	0.080	0.107	2.00	2.70	
C	0.021	0.025	0.53	0.64	
D	1.000	-----	25.40	-----	

Packing Quantity

Package	Package Type	Minimum Packing Quantity	Carton Quantity
A-405	13" Tape and Reel	5000	20K
	Bulk	1000	50K
	Ammo Pack	3000	36K

Note 1: These are minimum package quantities only. Minimum orders will differ. Contact the factory for more information on minimum order quantities.

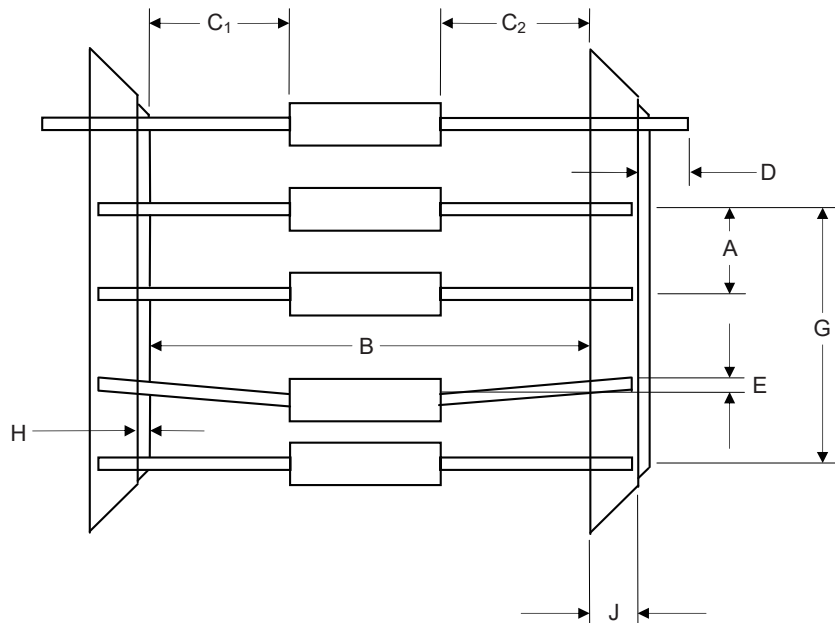
Reel Dimensions



Description	Dimension	Specification(mm)
Reel Diameter	A	330
Core Diameter (Outside Dimension)	B	16.6±0.4
Arbor Hole Diameter	C	85.7±0.3
Reel Width	D	79.0±1.0

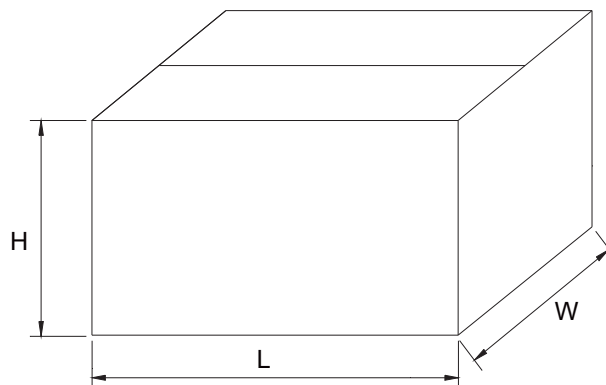
Reel Taping Specifications

Dimensions apply to both sides of the reel



Description	Dimension	Specification(mm)
Component Pitch	A	5.0±0.5
Inside Tape Spacing	B	52.4±1.5
Lead To Lead Eccentricity	[C ₁ - C ₂]	1.0 Max.
Lead Extension	D	0.5 Max.
Lead Bending	E	1.2 Max.
Cumulative Pitch	G	1.5 per 10 pitch
Exposed Adhesive	H	0.8 Max.
Tape Width	J	6.0±0.4
Tape Leader	Beginning and end of reel or ammo pack	300.0 Min.
Empty Spaces	Consecutive missing components not allowed	<0.1%
Polarity Marking	All polarized components shall be oriented in the same direction. The cathode tape shall be colored and the anode tape shall be white or light beige.	

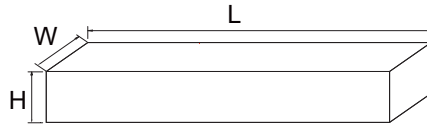
Carton Size



Description	Dimension	Specification(mm typical)
Length	L	360
Width	W	350
Height	H	345

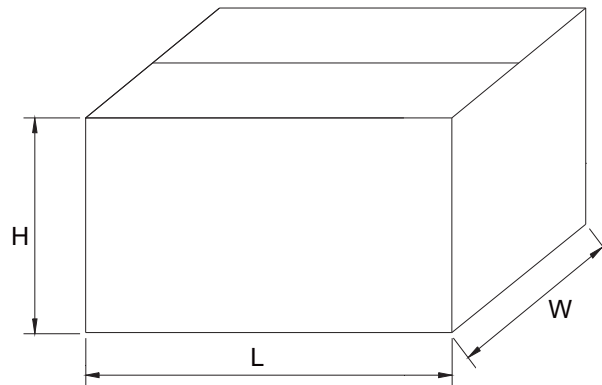
Bulk Packing Specification

Inbox Size



Description	Dimension	Specification(mm typical)
Length	L	200
Width	W	85
Height	H	20

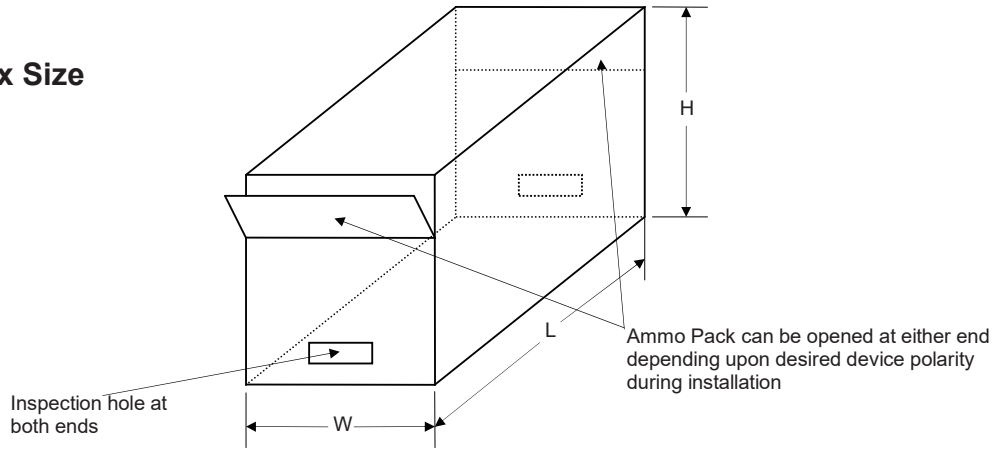
Carton Size



Description	Dimension	Specification(mm typical)
Length	L	440
Width	W	210
Height	H	245

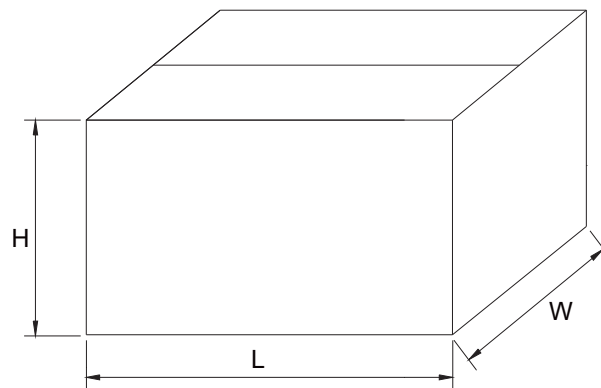
Ammo Pack Dimensions

Inbox Size



Description	Dimension	Specification(mm typical)
Length	L	260
Width	W	75
Height	H	140

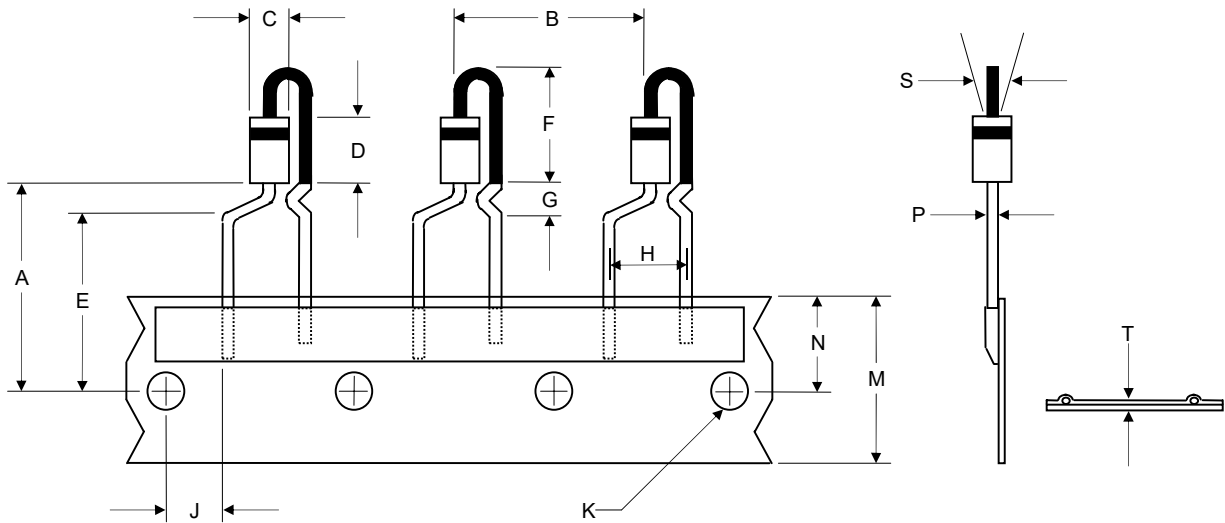
Carton Size



Description	Dimension	Specification(mm typical)
Length	L	410
Width	W	265
Height	H	315

Radial Taping Specifications For Rectifiers

A-405 Outline Only



DIMENSIONS					
DIM	INCHES		MM		NOTE
	MIN	MAX	MIN	MAX	
A	.709	.748	18.0	20.0	
B	.460	.540	11.7	13.7	
C	---	.106	---	2.7	
D	---	.205	---	5.2	
E	.610	.650	15.5	16.5	
F	---	.354	---	9.0	
G	---	.177	---	4.5	
H	.177	.217	4.5	5.5	
J	.124	.179	3.15	4.55	
K	.146	.169	3.7	4.3	
M	.677	.748	17.2	19.0	
N	.343	.384	8.70	9.75	
P	.021	.025	.54	.64	
S	---	±.079	---	±2.0	
T	.016	.031	.4	.8	

PACKING METHODS

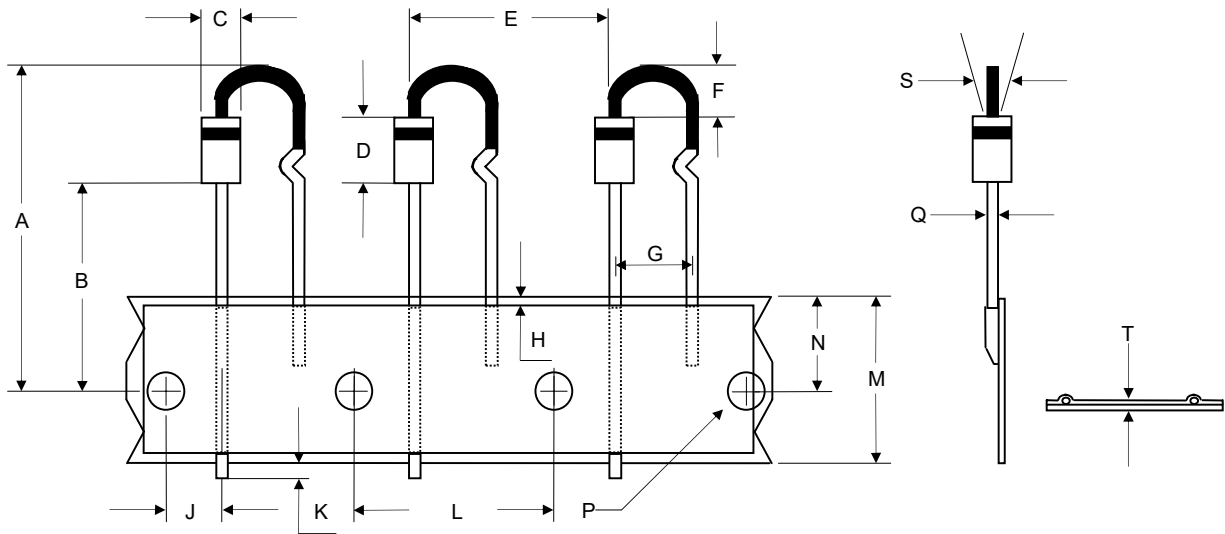
P/N EXAMPLE: A=N: PANASERT
A B C

- B = 0: NON INSULATION COATING---
LEAD FIRST OUT.
1: INSULATION COATING---
LEAD FIRST OUT.
2: NON INSULATION COATING---
BODY FIRST OUT.
3: INSULATION COATING---
BODY FIRST OUT.

- C = 1: FOR CATHODE DOWN,
IN BULK.
2: FOR CATHODE UP,
IN BULK.
3: FOR CATHODE DOWN,
IN REEL.
4: FOR CATHODE UP,
IN REEL

Radial Taping Specifications For Rectifiers

A-405 Outline Only



DIMENSIONS					
DIM	INCHES		MM		NOTE
	MIN	MAX	MIN	MAX	
A	.905	1.26	23.0	32.0	
B	.630	---	16.0	---	
C	---	.106	---	2.7	
D	---	.205	---	5.2	
E	.460	.540	11.7	13.7	
F	---	.098	---	2.5	
G	.193	.213	4.9	5.4	
H	---	.118	---	3.0	
J	.124	.179	3.15	4.55	
K	---	.079	---	2.0	
L	.488	.512	12.4	13.0	
M	.677	.748	17.2	19.0	
N	.343	.384	8.70	9.75	
P	.146	.169	3.7	4.3	
Q	.021	.025	.54	.64	
S	---	±.079	---	±2.0	
T	.016	.031	.4	.8	

PACKING METHODS

P/N EXAMPLE: A=V:AVISERT
B

- B = 1: INSULATION COATING/
LEAD FIRST OUT/ CATHODE UP/
IN REEL
- 2: INSULATION COATING/
BODY FIRST OUT/CATHODE UP/
IN REEL..
- 3: INSULATION COATING/
LEAD FIRST OUT/CATHODE DOWN/
IN REEL.
- 4: INSULATION COATING/
BODY FIRST OUT/
CATHODE DOWN/ IN REEL