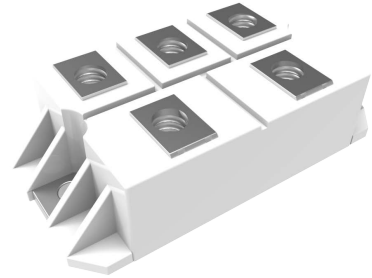


Mechanical Data

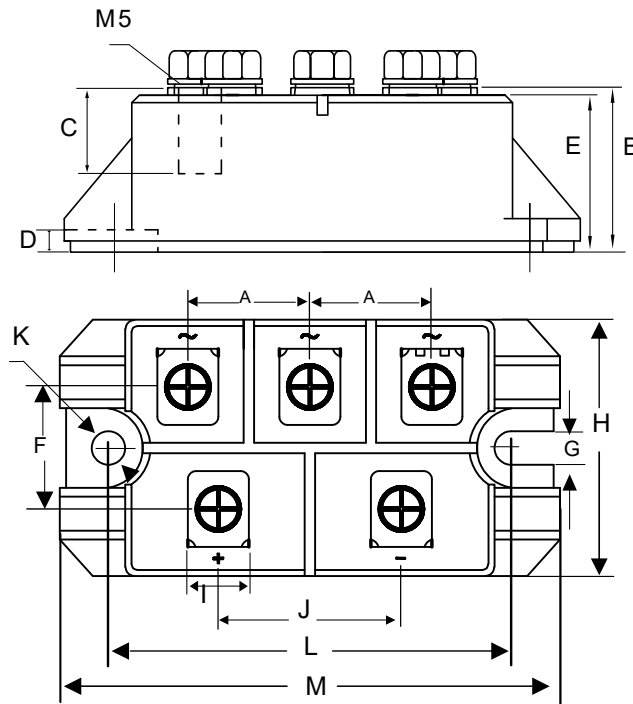
Package 3D Photo

- Weight: 146.0000 grams (Approximate)
- Halogen Free Available Upon Request By Adding Suffix "-HF"
- Lead Free Finish/RoHS Compliant (Note1) ("P" Suffix Designates RoHS Compliant. See Ordering Information)



Note: 1. High Temperature Solder Exemption Applied, see EU Directive Annex 7a.

Package Outline Dimensions



DIMENSIONS					
DIM	INCHES		MM		NOTE
	MIN	MAX	MIN	MAX	
A	0.768	0.807	19.50	20.50	
B	0.846	0.886	21.50	22.50	
C	0.433	0.472	11.00	12.00	
D	0.098	0.138	2.50	3.50	
E	0.807	0.846	20.50	21.50	
F	0.768	0.807	19.50	20.50	
G	0.197	0.236	5.00	6.00	
H	1.634	1.673	41.50	42.50	
I	0.374	0.413	9.50	10.50	
J	1.161	1.201	29.50	30.50	
K	0.217		5.50		Φ
L	2.579	2.618	65.50	66.50	
M	3.209	3.248	81.50	82.50	

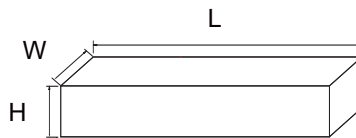
Packing Quantity

Package	Package Type	Minimum Packing Quantity	Carton Quantity
M4	Box	6	60

Note 1: These are minimum package quantities only. Minimum orders will differ. Contact the factory for more information on minimum order quantities.

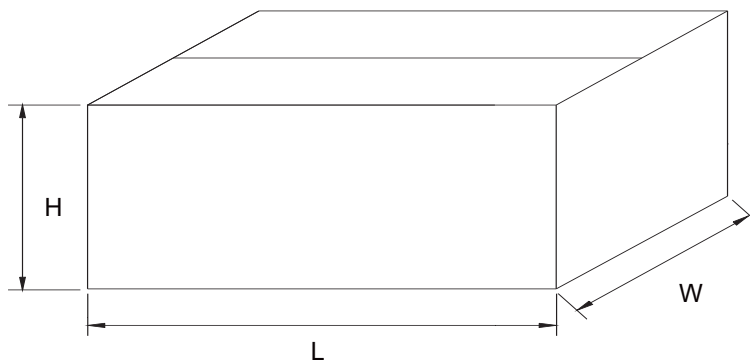
Dimensions

Inbox Size



Description	Dimension	Specification(mm typical)
Length	L	302
Width	W	268
Height	H	53

Carton Size



Description	Dimension	Specification(mm typical)
Length	L	555
Width	W	310
Height	H	280