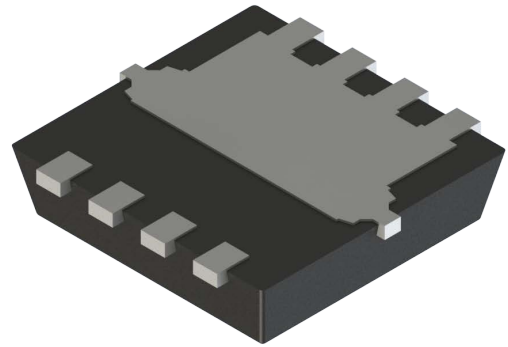


## Mechanical Data

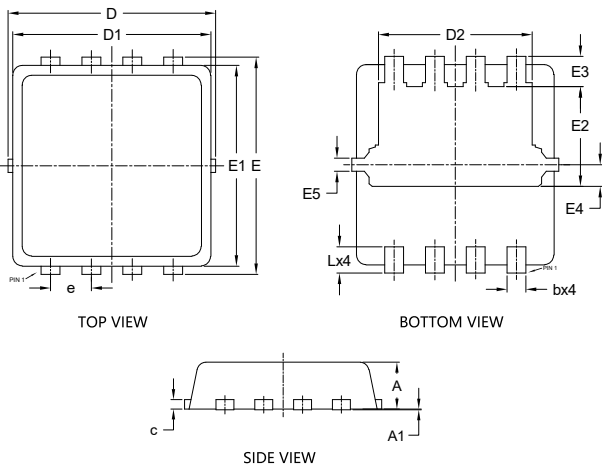
- Surface Mount Package
- Weight: 0.0306 grams (Approximate)
- Halogen Free. "Green" Device (Note 1)
- Epoxy Meets UL 94 V-0 Flammability Rating
- Lead Free Finish/RoHS Compliant (Note 2) ("P" Suffix Designates RoHS Compliant. See Ordering Information)

Note 1: free "Green" products are defined as those which contain <900ppm bromine, <900ppm chlorine (<1500ppm total Br + Cl) and <1000ppm antimony compounds.  
2. High Temperature Solder Exemption Applied, see EU Directive Annex 7a.

## Package 3D Photo

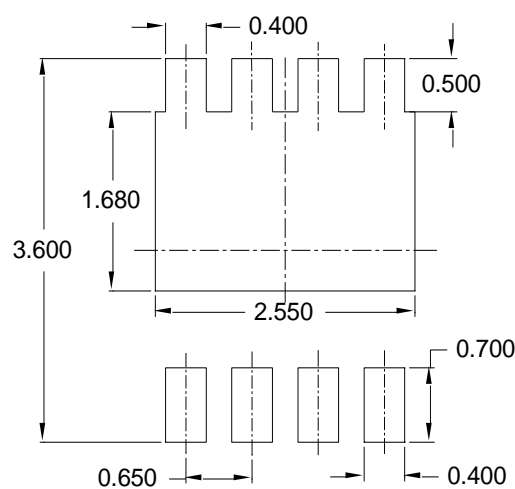


## Package Outline Dimensions



DIM	DIMENSIONS				NOTE
	INCHES		MM		
A	0.028	0.033	0.70	0.85	
A1	0.000	0.002	0.00	0.05	
b	0.008	0.016	0.20	0.40	
c	0.004	0.010	0.10	0.25	
D	0.124	0.136	3.15	3.45	
D1	0.118	0.130	3.00	3.30	
D2	0.089	0.104	2.25	2.65	
E	0.124	0.136	3.15	3.45	
E1	0.114	0.126	2.90	3.20	
E2	0.052	0.068	1.32	1.72	
E3	0.011	0.026	0.28	0.65	
E4	0.013		0.330		TYP
E5	0.008		0.200		TYP
e	0.026		0.650		BSC
L	0.012	0.020	0.300	0.500	

## Suggested Solder Pad Layout



Unit:mm

**Notes:**

1.The suggested land pattern dimensions have been provided for reference only.

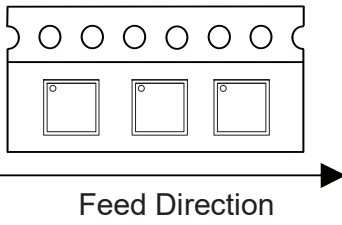
### Packing Quantity

Package	Tape Width (mm)	Reel Size (inch)	Reel Quantity	BOX Quantity	Carton Quantity
PDFN3333	12	13	5000	10K	50K

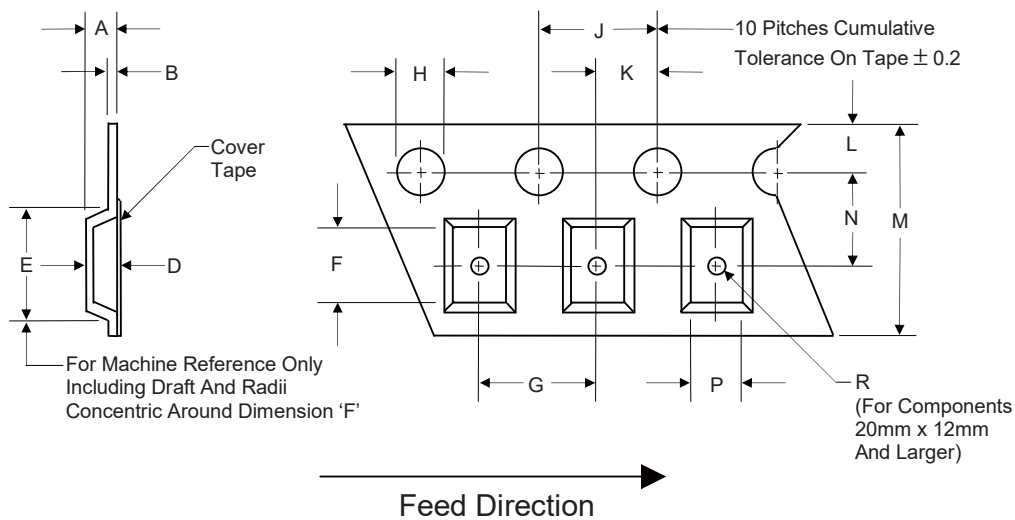
Note 1: These are minimum package quantities only. Minimum orders will differ. Contact the factory for more information on minimum order quantities.

Note 2: MCC Tape&reel products meets EIA-481 REV D specification.

### Device Tape Orientation

Package	Tape Width (mm)	Tape Orientation
PDFN3333	12	

### Embossed Carrier Tape Specifications

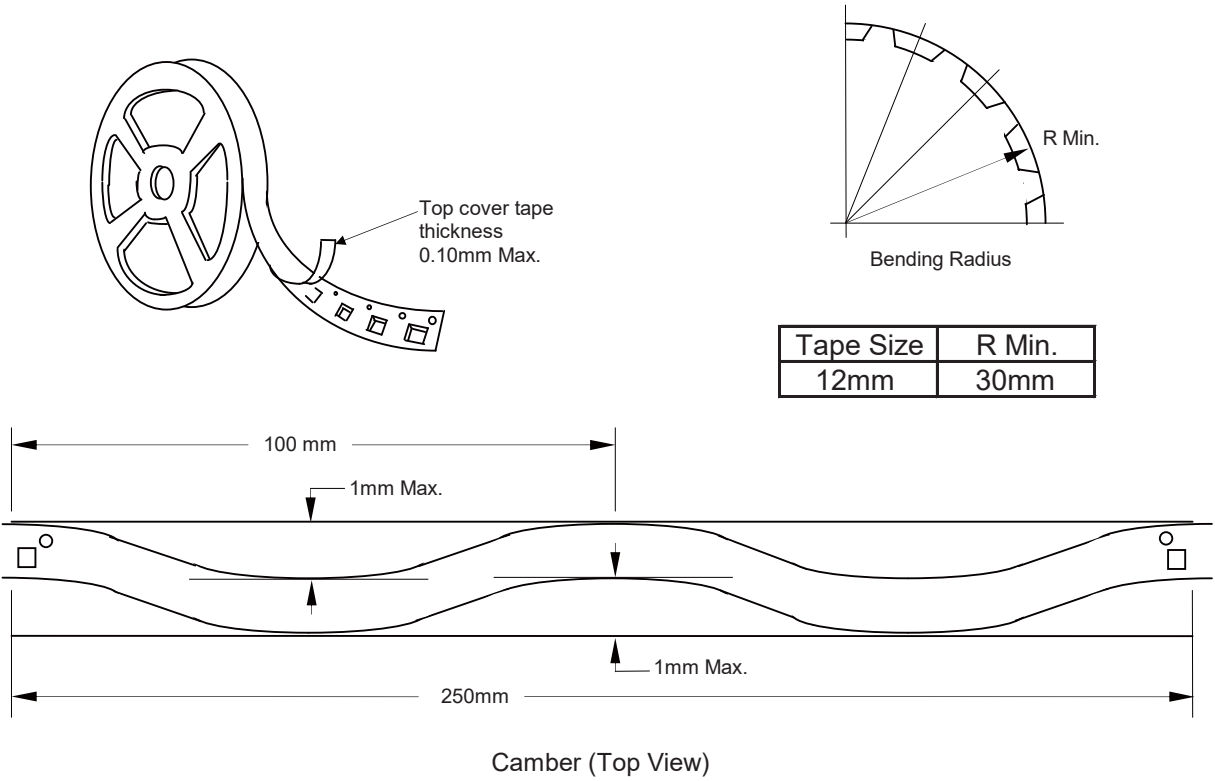


Tape Width	H	L	J	B	D	F	P
12mm	1.5	1.75	4.0	0.6	See Note 3		
(Tolerance)	+0.1/-0	$\pm 0.1$	$\pm 0.1$	Max			

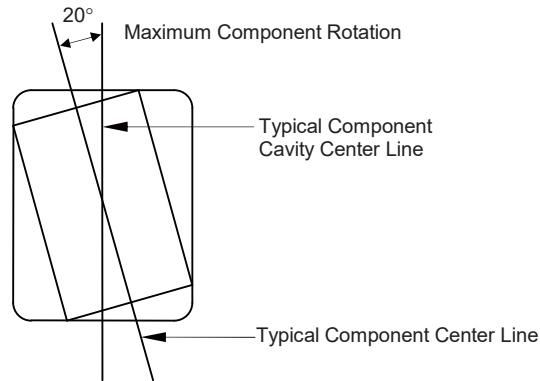
Tape Width	E	R	N	A	K	M	G
12mm	8.2	1.5	5.5	4.5	2.0	12.0	8.0
(Tolerance)	Max	Min	$\pm 0.05$	Max	$\pm 0.05$	$\pm 0.3$	$\pm 0.1$

Note 3: D,E,F are determined by constant size. The clearance between the part and the tape cavity must be within 0.05mm min. to 0.65mm max. for 12mm tape.

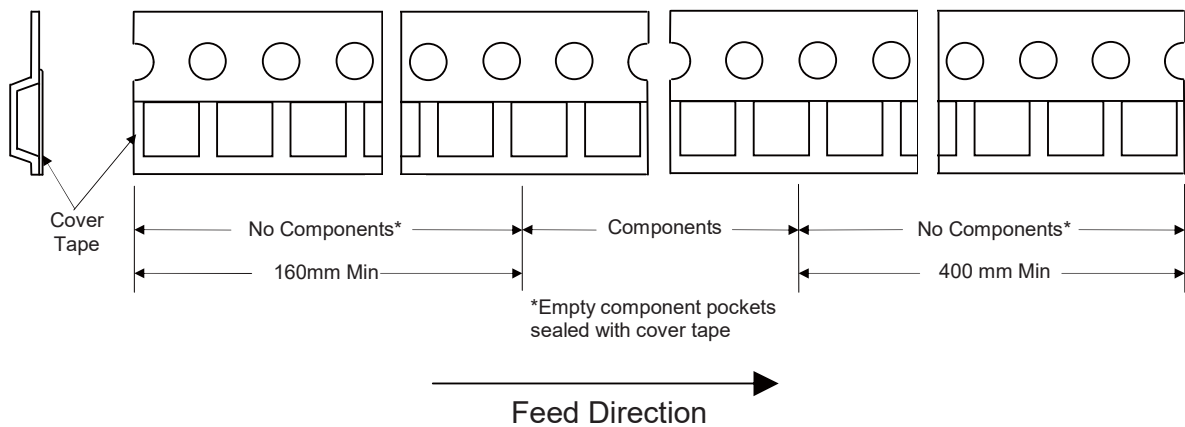
## Embossed Carrier Tape Specifications



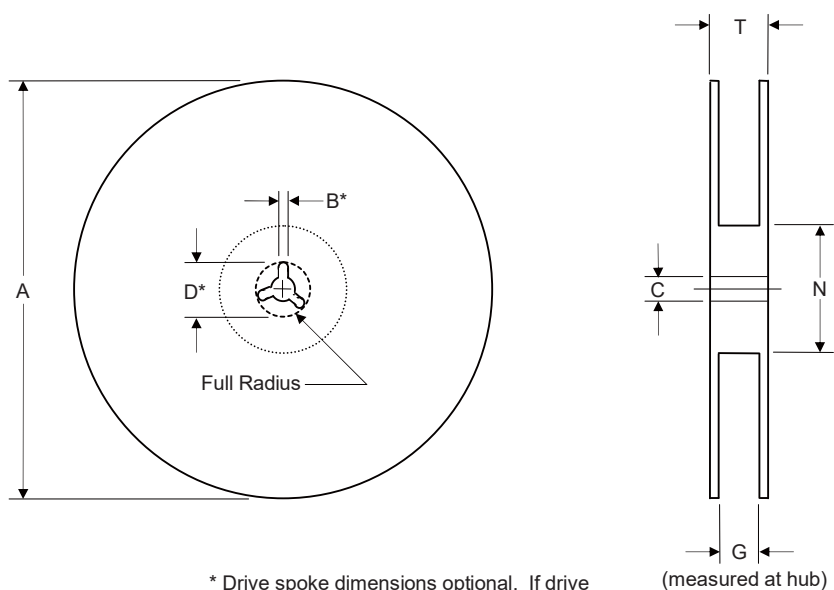
Allowable camber to be 1mm/100mm non-accumulative over 250mm



## Start and Finish Specification



## Surface Mount Reel Specifications



\* Drive spoke dimensions optional. If drive spoke is used then asterisked dimensions apply.

Tape Width	A	B	C	D	N	G	T
12mm	330	1.5	13.0	20.2	55	12.4	18.4
(Tolerance)	±2.0	Min	±0.2	Min	Min	+2.0	Max

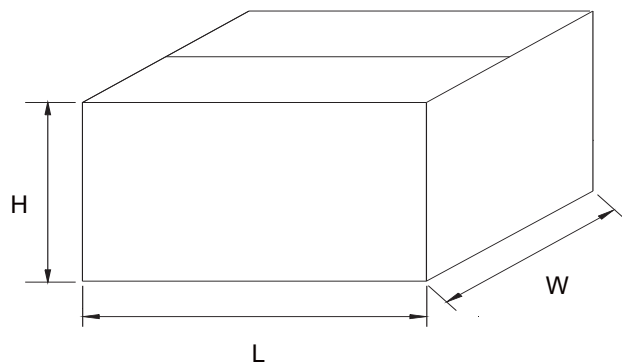
## Dimensions

### Inbox Size



Description	Dimension	Specification(mm typical)
Length	L	370
Width	W	340
Height	H	55

### Carton Size



Description	Dimension	Specification(mm typical)
Length	L	385
Width	W	365
Height	H	315