

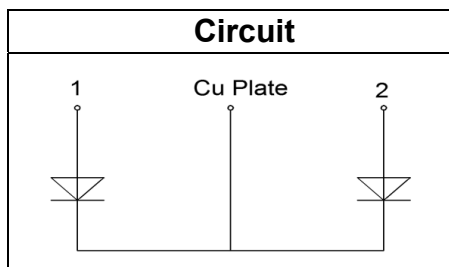
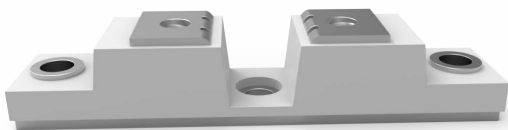
Features

- Center Tap Module
- High Frequency Operation
- Low Forward Voltage
- Dual Diode Construction; May be Paralleled for High Current Output
- Lead (Pb)-free
- Designed and Qualified for Industrial Level

Applications

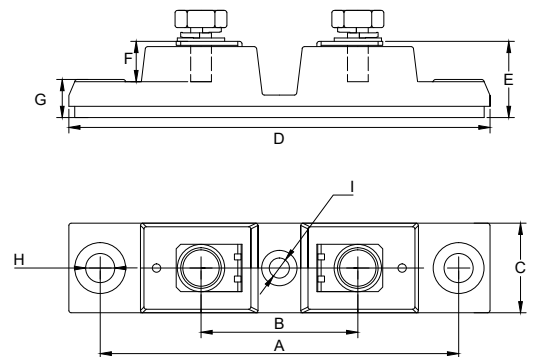
- Plating Power Supply
- High Frequency Power Supply
- High Current Switching Power Supply
- Reverse Battery Protection
- Welding Machine

Part Number	V_{RRM}	I_{FAV}
MB400K02F4N	200V	400A



**400 Amp
Schottky Rectifier
Modules
200 Volts**

F4N



DIM	INCHES		MM		NOTE
	MIN	MAX	MIN	MAX	
A	3.130	3.169	79.50	80.50	
B	1.358	1.398	34.50	35.50	
C	0.768	0.807	19.50	20.50	
D	3.661	3.701	93.00	94.00	
E	0.649	0.689	16.50	17.50	
F	0.335	0.374	8.50	9.50	
G	0.315	0.354	8.00	9.00	
H	0.236	0.276	6.00	7.00	
I	0.157	0.197	4.00	5.00	

Maximum Ratings

Symbol	Conditions	Values	Units
V_R		200	V
$I_{F(AV)}$	$T_C=100^{\circ}\text{C}$, Per Diode	200	A
	$T_C=100^{\circ}\text{C}$, Per Module	400	A
I_{FSM}	1/2 Cycle , 60Hz, Sine	3000	A
I^2t	$T_J=45^{\circ}\text{C}$, $t=8.3\text{ms}$, 60Hz, Sine	45000	A^2s
T_J		-40 to +150	$^{\circ}\text{C}$
T_{STG}		-40 to +150	$^{\circ}\text{C}$
Torque	Recommended (M6)	3~4.7	N·m
Torque	Recommended (M6)	3~4.7	N·m
Weight		68	g

Thermal Characteristics

Symbol	Conditions	Values	Units
$R_{th(j-c)}$	Per diode	0.3	$^{\circ}\text{C}/\text{W}$

Electrical Characteristics

Symbol	Conditions	Values			Units
		Min.	Typ.	Max.	
I_{RM}	$V_R=200\text{V}$, $T_J=25^{\circ}\text{C}$	--	--	1	mA
	$V_R=200\text{V}$, $T_J=125^{\circ}\text{C}$	--	--	10	mA
V_F	$I_F=200\text{A}$, $T_J=25^{\circ}\text{C}$	--	0.86	0.90	V
	$I_F=200\text{A}$, $T_J=125^{\circ}\text{C}$	--	0.76	0.78	

Performance Curves

Fig1. Forward Voltage Drop vs Forward Current

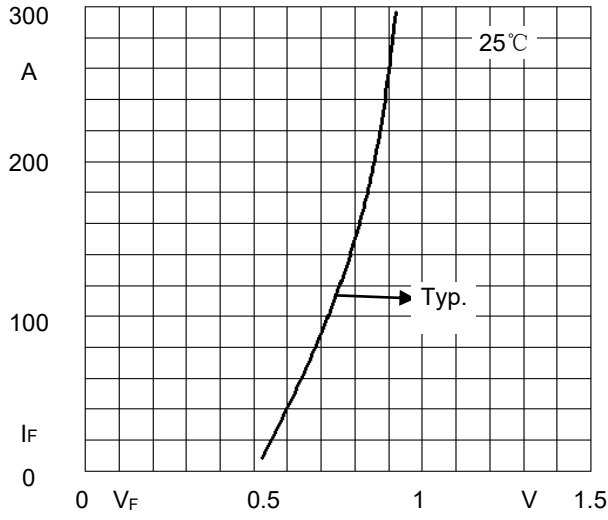


Fig2. Forward Current Derating Curve

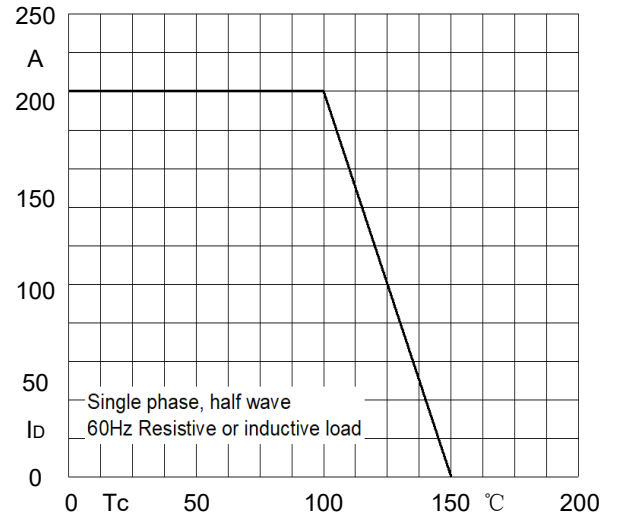
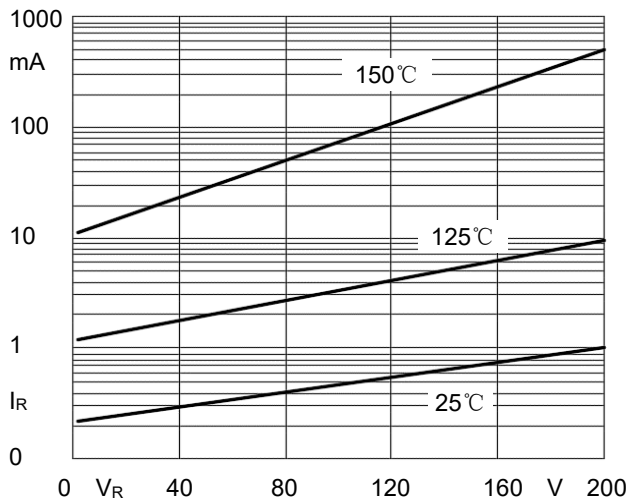


Fig3. Typical Reverse Current



Ordering Information

Device	Packing
Part Number-BP	Bulk: 12 pcs/Box ;120 pcs/Carton

*****IMPORTANT NOTICE*****

Micro Commercial Components Corp. reserves the right to make changes without further notice to any product herein to make corrections, modifications , enhancements , improvements , or other changes . **Micro Commercial Components Corp .** does not assume any liability arising out of the application or use of any product described herein; neither does it convey any license under its patent rights ,nor the rights of others . The user of products in such applications shall assume all risks of such use and will agree to hold **Micro Commercial Components Corp .** and all the companies whose products are represented on our website, harmless against all damages.

*****LIFE SUPPORT*****

MCC's products are not authorized for use as critical components in life support devices or systems without the express written approval of Micro Commercial Components Corporation.

*****CUSTOMER AWARENESS*****

Counterfeiting of semiconductor parts is a growing problem in the industry. Micro Commercial Components (MCC) is taking strong measures to protect ourselves and our customers from the proliferation of counterfeit parts. MCC strongly encourages customers to purchase MCC parts either directly from MCC or from Authorized MCC Distributors who are listed by country on our web page cited below. Products customers buy either from MCC directly or from Authorized MCC Distributors are genuine parts, have full traceability, meet MCC's quality standards for handling and storage. **MCC will not provide any warranty coverage or other assistance for parts bought from Unauthorized Sources.** MCC is committed to combat this global problem and encourage our customers to do their part in stopping this practice by buying direct or from authorized distributors.